



Illustrated Parts Catalogue

Illustrated Parts Catalogue Woodward Diesel Systems

**Wärtsilä (formerly Duvant Crepelle & Cummins)
Pumps & Injectors**

Manual 55186

General

This Illustrated Parts Catalog (IPC) is designed to assist customers in identifying spare parts for the most common applications of Woodward equipment.

We recognize that there may be instances where engines of identical type have, at times, been fitted with fuel injection equipment which differs from that listed. It is important, therefore, to quote the type-code of the equipment in use when ordering replacement parts.

A number in parenthesis indicates quantity per unit of more than one.

An item number with suffix "ND" indicates item Not Drawn, and suffix "AR" indicates As Required.

Part numbers of other manufacturers are included for cross reference purposes only.

It is Woodward policy to update the information contained in this catalog periodically and to re-issue to Distributors and Operators as appropriate.

This IPC contains the spare part and sub assembly level of breakdown consistent with the overhaul and maintenance policy recommended by Woodward Diesel Systems.

If you have a need for additional or change information to be included in this IPC or for other applications to be added please contact Woodward Customer Services Department. Your requirements will be considered at the next revision point.

Woodward Diesel Systems strive to achieve the maximum accuracy of the information provided within this document, no liability can be accepted by Woodward for damage, loss or injury caused by any errors in the information within this IPC.

To guarantee the safety, performance, and reliability of the equipment, only genuine Woodward spares must be used during rework.

References

These publications are available at www.woodward.com/publications:

55142—Diesel Engine Fuel Pump Supersession List

55143—Diesel Engine Fuel Pump Application List

55151—Fuel Injection Equipment Introductory Manual

55152—Practical Aspects of Fuel Injection Equipment

Woodward Governor Company reserves the right to update any portion of this publication at any time. Information provided by Woodward Governor Company is believed to be correct and reliable. However, no responsibility is assumed by Woodward Governor Company unless otherwise expressly undertaken.

© Woodward 2008
All Rights Reserved

Contents

FCCAB180B0444 Fuel Injection Pump	2
FCCAB180B0648 Fuel Injection Pump	4
FCCAB180B0693 Fuel Injection Pump	6
FCCAB200B0444 Fuel Injection Pump	8
FCCAB200B0648 Fuel Injection Pump	10
FCOAB180B0407 Fuel Injection Pump	12
FCVAB180B0726 Fuel Injection Pump	14
FCVAB200B0726 Fuel Injection Pump	16
FCVAB220B0698 Fuel Injection Pump	18
FCVAB220B0726 Fuel Injection Pump	20

Wärtsilä (formerly Duvant Crepelle & Cummins Wärtsilä)

Pump	Injector	Engine Ref.
FCCAB180B0444	—	SNSR, SNSRR (250 mm bore) VJ (dual fuel)
FCCAB180B0648	—	SNSR, SNSRR (250 mm bore)
FCCAB180B0693	—	SNSR, SNSRR (250 mm bore)
FCCAB200B0444	—	VJ
FCCAB200B0648	—	SNSR, SNSRR (heavy fuel)
FCOAB180B0407	—	SN
FCVAB180B0726	—	SNSR, SNSRR (20 mm stroke)
FCVAB200B0726	—	SNSR, SNSRR (20 mm stroke, uprated)
FCVAB220B0698	—	SNSR, SNSRR (16 mm stroke, uprated)
FCVAB220B0726	—	SNSR, SNSRR (20 mm stroke, uprated)

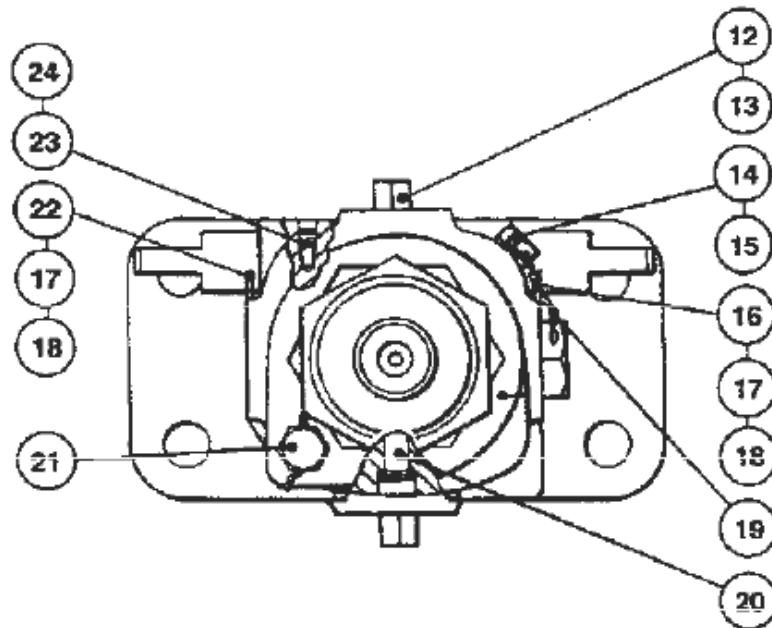
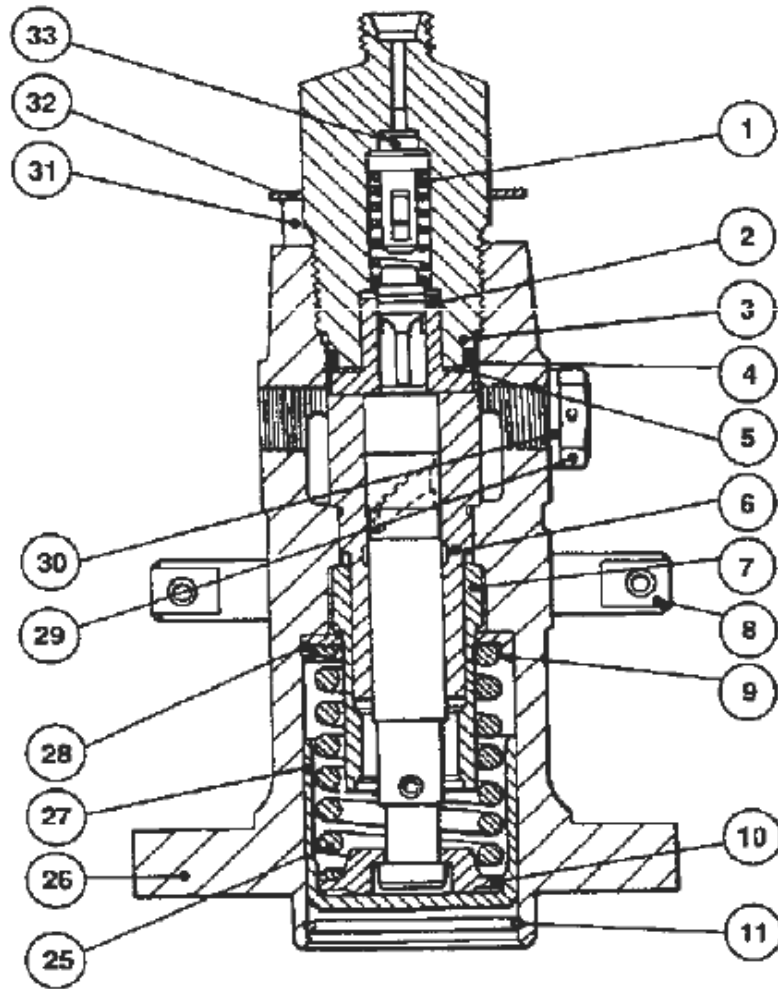
FCCAB180B0444 Fuel Injection Pump for Wärtsilä Engines:

SNSR & SNSRR (250 mm bore)

VJ (dual fuel)

(April 1995, Issue #2)

Item			
No.	Part Name	Woodward No.	Wärtsilä No.
	Fuel Pump	FCCAB180B0444	
1	Spring delivery valve	6/121	
2	Delivery valve & seat assembly	21/125B	
3	Delivery valve holder	6/157	
4	Seal-O-ring	372/20	
5	Seal-high pressure	6/120	
6	Element assembly	6/110C	
7	Control sleeve	6/349	
8	Control rod assembly	6/183	
9	Circlip-upper	25/25	
10	Spring plate-lower	6/107	
11	Circlip-lower	6/105	
12	Spill plug (2)	6/464	
13	Washer-spill plug (2)	113/27	
14	Screw-vent	3/262	
15	Washer-vent screw	113/75	
16	Pointer-control rod L.H.	3/2A	
17	Screw-pointer (2)	297/203	
18	Shims-pointer (2AR)	106/1A-E	
19	Locking wire (AR)	18SWG	
20	Dowel-barrel locating	6/125	
21	Bolt-locking plate	25/21	
22	Pointer-control rod R.H.	3/2	
23	Screw-control rod locating (2)	25/17	
24	Lead seal (2)	2/2	
25	Spring-plunger	6/109	
26	Pump housing	6/184	
27	Tappet	6/106	
28	Spring plate-upper	7022/232	
29	Blanking plug-inlet	6/102	
30	Washer-inlet connector	NW5/50W4	
31	Collar-locking plate	25/22	
32	Locking plate	6/126	
33	Spring peg	21/321B	



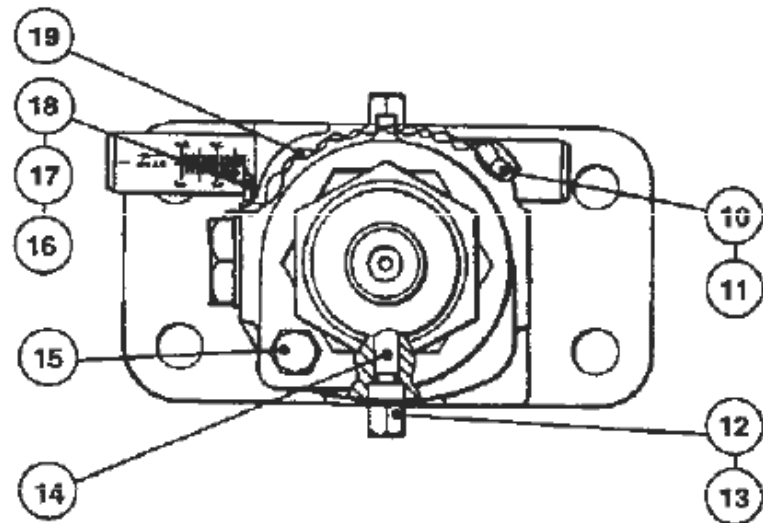
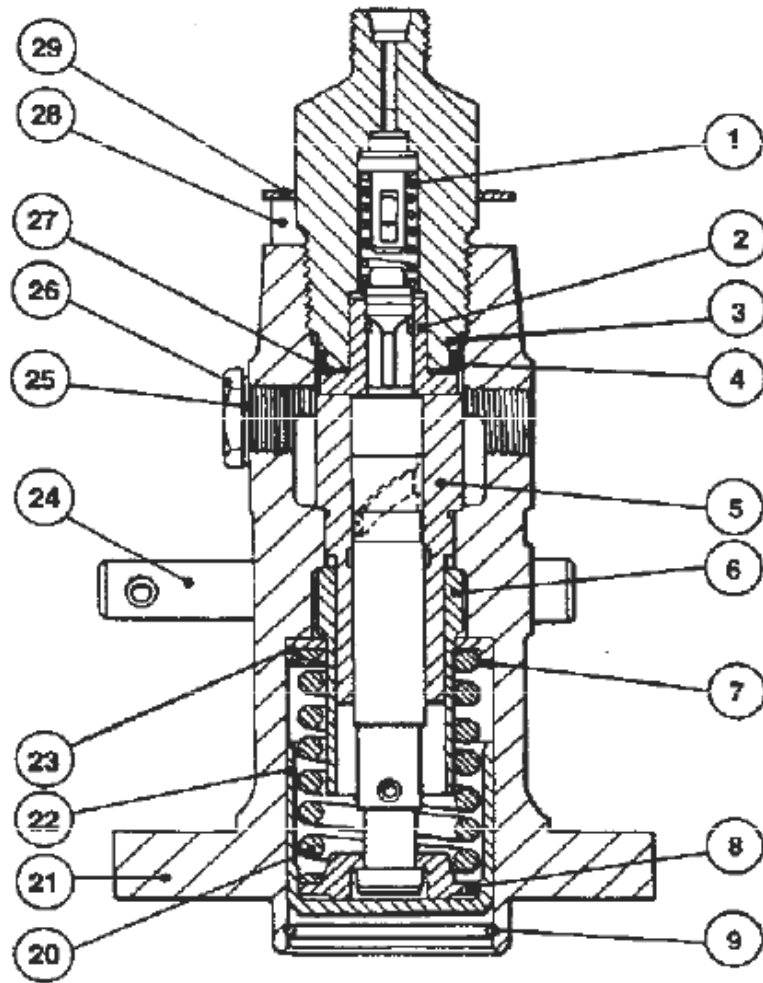
FCCAB180B0444 Fuel Injection Pump

FCCAB180B0648 Fuel Injection Pump for Wärtsilä SNSR & SNSRR Engines (250 mm bore)

(April 1995, Issue #2)

Item

No.	Part Name	Woodward No.	Wärtsilä No.
	Fuel Pump	FCCAB180B0648	
1	Spring delivery valve	6/121	
2	Delivery valve & seat assembly	21/125D	
3	Delivery valve holder	6/122	
4	Seal-O-ring	372/20	
5	Element assembly	6/110C	
6	Control sleeve	6/349	
7	Circlip-upper	25/25	
8	Spring plate-lower	6/107	
9	Circlip-lower	6/105	
10	Screw-vent	3/262	
11	Washer-vent screw	113/75	
12	Spill plug (2)	6/464	
13	Washer-spill plug (2)	113/27	
14	Dowel-barrel locating	6/125	
15	Bolt-locking plate	25/21	
16	Shims-pointer (1AR)	106/1A-E	
17	Screw-pointer	297/203	
18	Pointer-control rod	3/2	
19	Locking wire (AR)	18SWG	
20	Spring-plunger	6/109	
21	Pump housing	6/353	
22	Tappet	6/106	
23	Spring plate-upper	7022/232	
24	Control rod assembly	6/437	
25	Washer-inlet connector	NW5/50W4	
26	Blanking plug-inlet	6/102	
27	Seal-high pressure	6/120	
28	Collar-locking plate	25/22	
29	Locking plate	6/126	

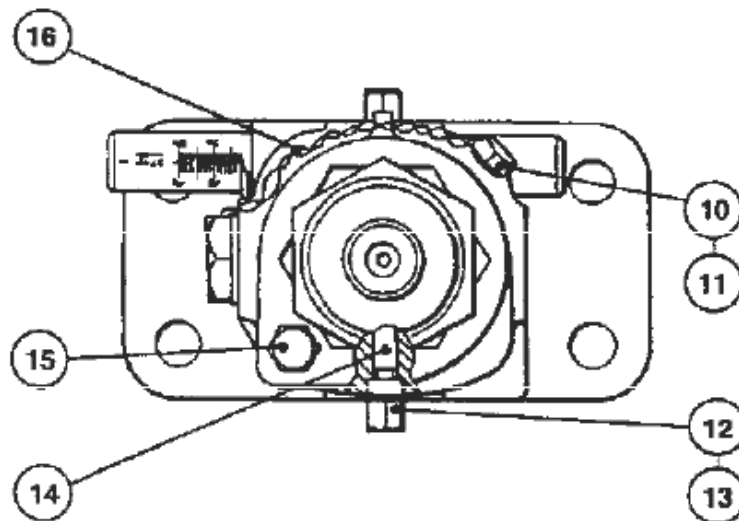
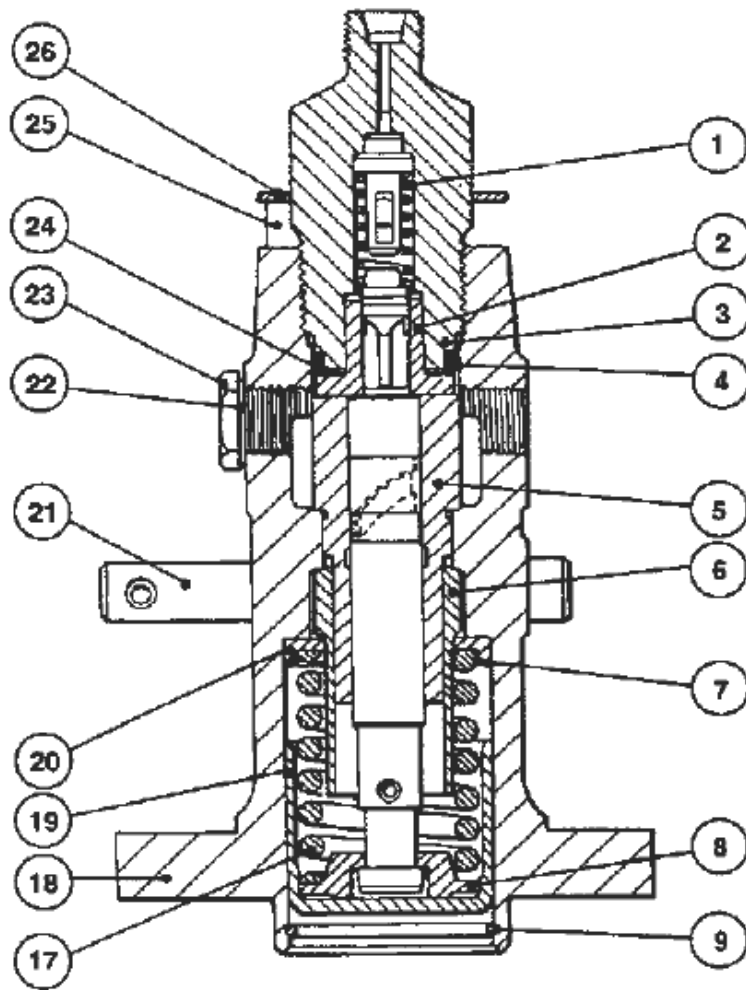


FCCAB180B0648 Fuel Injection Pump

FCCAB180B0693 Fuel Injection Pump for Wärtsilä SNSR & SNSRR Engines (250 mm bore)

(April 1995, Issue #2)

Item			
No.	Part Name	Woodward No.	Wärtsilä No.
	Fuel Pump	FCCAB180B0693	
1	Spring delivery valve	6/121	
2	Delivery valve & seat assembly	21/125D	
3	Delivery valve holder	6/122	
4	Seal-O-ring	372/20	
5	Element assembly	6/110C	
6	Control sleeve	6/349	
7	Circlip-upper	25/25	
8	Spring plate-lower	6/107	
9	Circlip-lower	6/105	
10	Screw-vent	3/262	
11	Washer-vent screw	113/75	
12	Spill plug (2)	6/464	
13	Washer-spill plug (2)	113/27	
14	Dowel-barrel locating	6/125	
15	Bolt-locking plate	25/21	
16	Locking wire (AR)	18SWG	
17	Spring-plunger	6/109	
18	Pump housing	6/449	
19	Tappet	6/106	
20	Spring plate-upper	7022/232	
21	Control rod assembly	6/437	
22	Washer-inlet connector	NW5/50W4	
23	Blanking plug-inlet	6/102	
24	Seal-high pressure	6/120	
25	Collar-locking plate	25/22	
26	Locking plate	6/126	

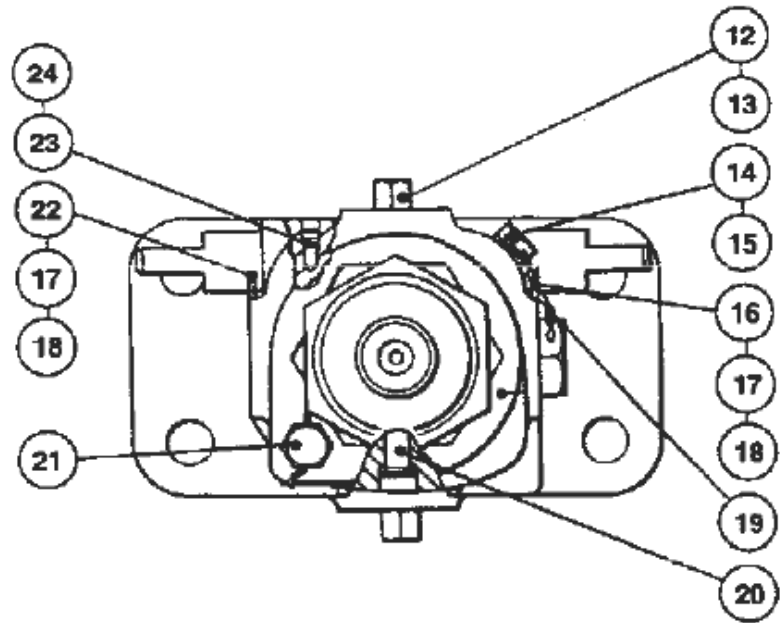
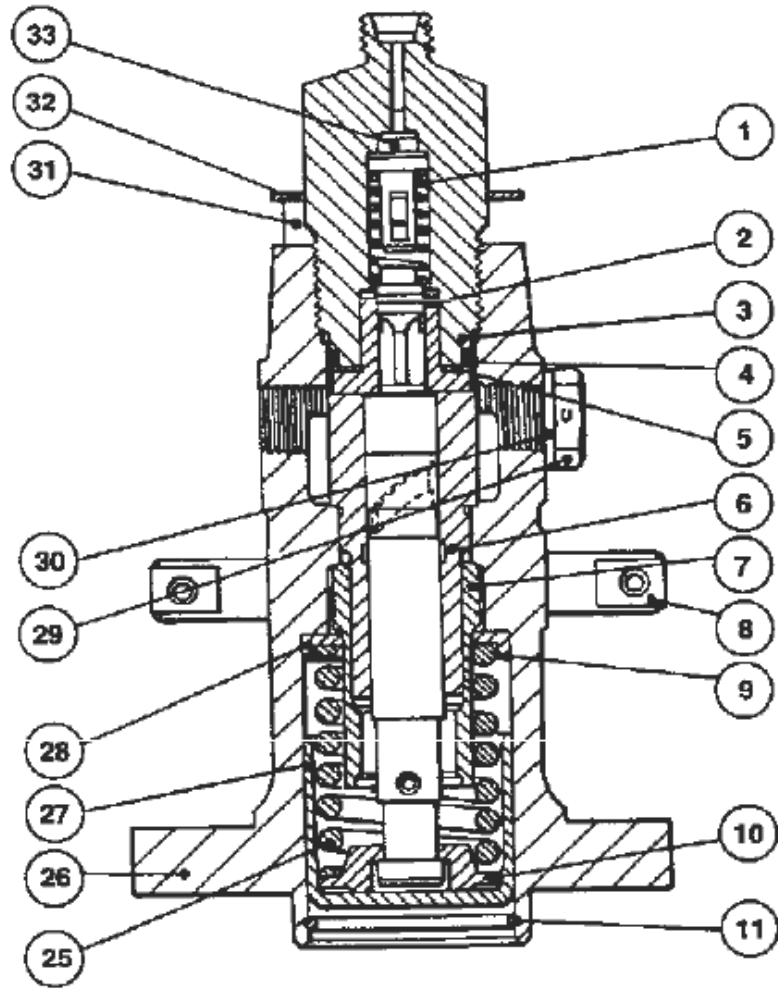


FCCAB180B0693 Fuel Injection Pump

FCCAB200B0444 Fuel Injection Pump for Wärtsilä VJ Engine

(April 1995, Issue #2)

Item			
No.	Part Name	Woodward No.	Wärtsilä No.
	Fuel Pump	FCCAB200B0444	
1	Spring delivery valve	6/121	
2	Delivery valve & seat assembly	21/125B	
3	Delivery valve holder	6/157	
4	Seal-O-ring	372/20	
5	Seal-high pressure	6/120	
6	Element assembly	6/110E	
7	Control sleeve	6/349	
8	Control rod assembly	6/183	
9	Circlip-upper	25/25	
10	Spring plate-lower	6/107	
11	Circlip-lower	6/105	
12	Spill plug (2)	6/464	
13	Washer-spill plug (2)	113/27	
14	Screw-vent	3/262	
15	Washer-vent screw	113/75	
16	Pointer-control rod L.H.	3/2A	
17	Screw-pointer (2)	297/203	
18	Shims-pointer (2AR)	106/1A-E	
19	Locking wire (AR)	18SWG	
20	Dowel-barrel locating	6/125	
21	Bolt-locking plate	25/21	
22	Pointer-control rod R.H.	3/2	
23	Screw-control rod locating (2)	25/17	
24	Lead seal (2)	2/2	
25	Spring-plunger	6/109	
26	Pump housing	6/184	
27	Tappet	6/106	
28	Spring plate-upper	7022/232	
29	Blanking plug-inlet	6/102	
30	Washer-inlet connector	NW5/50W4	
31	Collar-locking plate	25/22	
32	Locking plate	6/126	
33	Spring peg	21/321B	

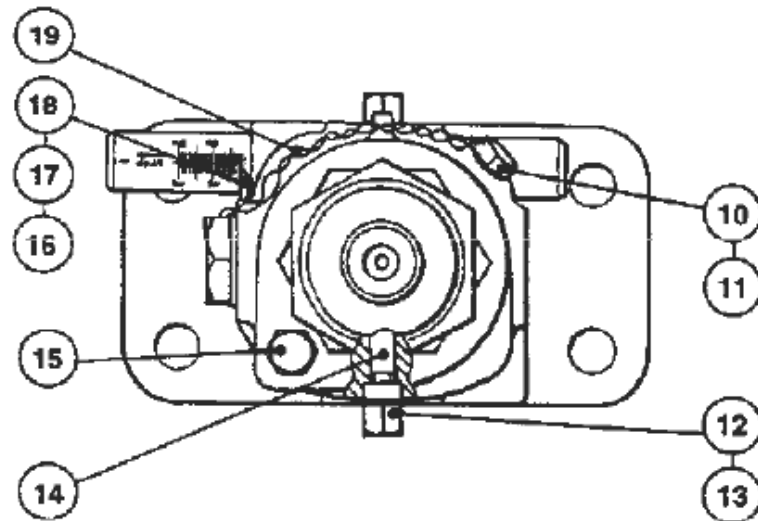
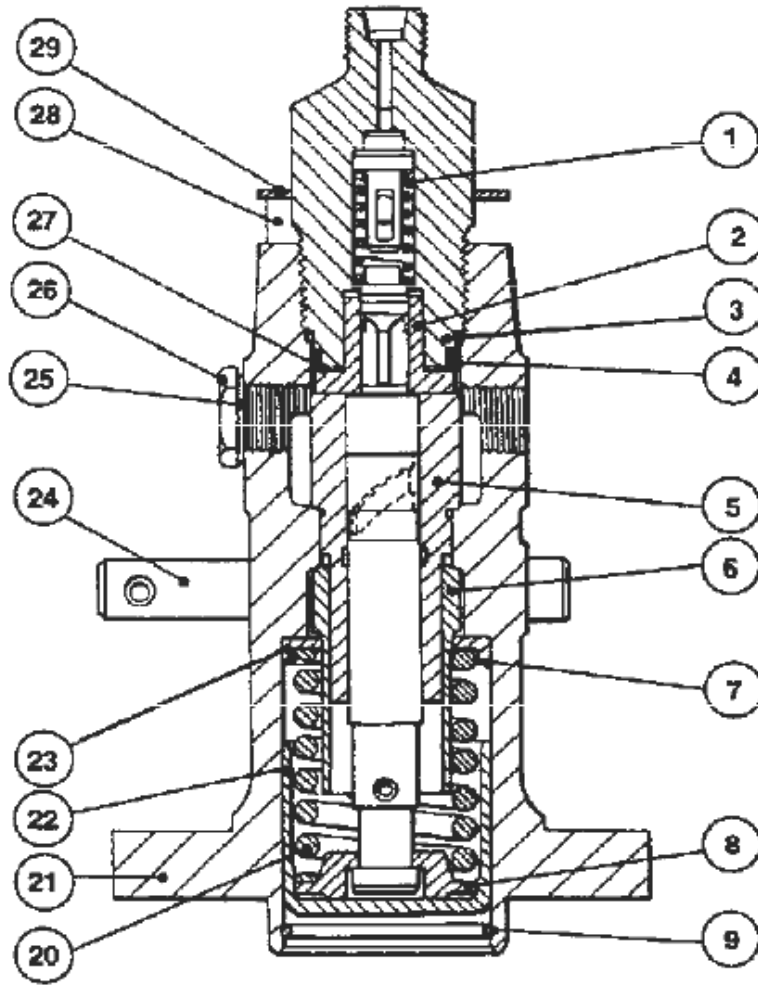


FCCAB200B0444 Fuel Injection Pump

FCCAB200B0648 Fuel Injection Pump for Wärtsilä SNSR & SNSRR Engines (heavy fuel)

(April 1995, Issue #2)

Item			
No.	Part Name	Woodward No.	Wärtsilä No.
	Fuel Pump	FCCAB200B0648	
1	Spring delivery valve	6/121	
2	Delivery valve & seat assembly	21/125D	
3	Delivery valve holder	6/122	
4	Seal-O-ring	372/20	
5	Element assembly	6/110E	
6	Control sleeve	6/349	
7	Circlip-upper	25/25	
8	Spring plate-lower	6/107	
9	Circlip-lower	6/105	
10	Screw-vent	3/262	
11	Washer-vent screw	113/75	
12	Spill plug (2)	6/464	
13	Washer-spill plug (2)	113/27	
14	Dowel-barrel locating	6/125	
15	Bolt-locking plate	25/21	
16	Shims-pointer (1AR)	106/1A-E	
17	Screw-pointer	297/203	
18	Pointer-control rod	3/2	
19	Locking wire (AR)	18SWG	
20	Spring-plunger	6/109	
21	Pump housing	6/353	
22	Tappet	6/106	
23	Spring plate-upper	7022/232	
24	Control rod assembly	6/437	
25	Washer-inlet connector	NW5/50W4	
26	Blanking plug-inlet	6/102	
27	Seal-high pressure	6/120	
28	Collar-locking plate	25/22	
29	Locking plate	6/126	

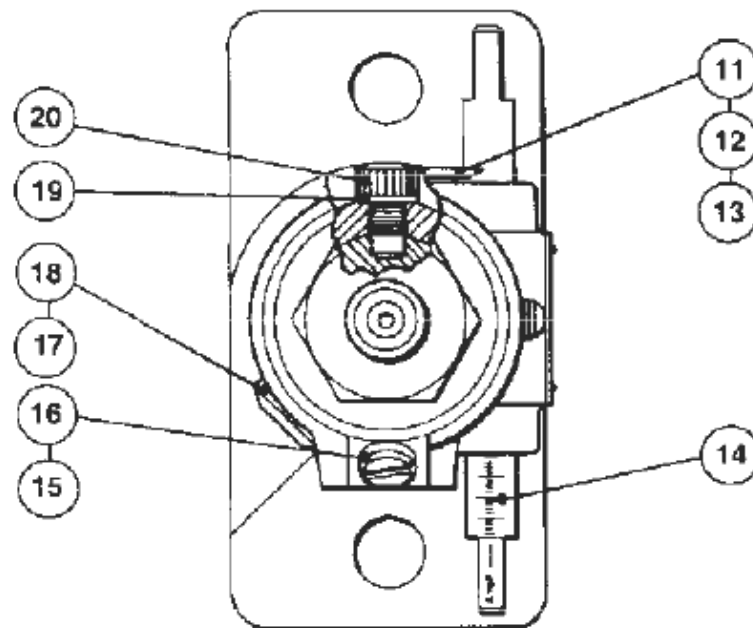
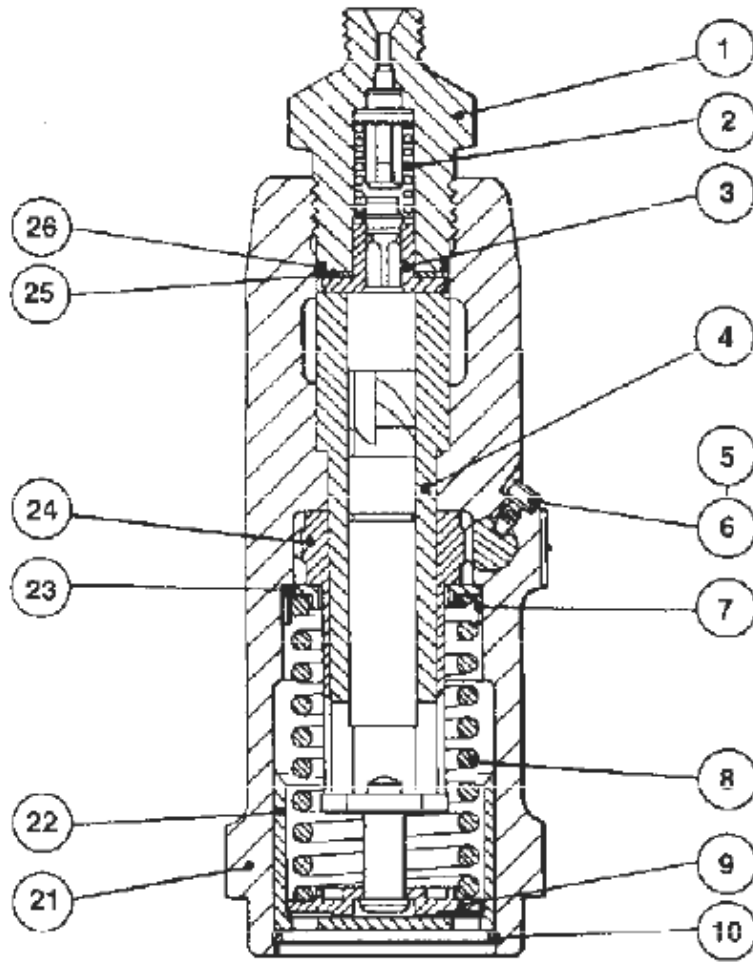


FCCAB200B0648 Fuel Injection Pump

FCOAB180B0407 Fuel Injection Pump for Wärtsilä SN Engine

(September 1997, Issue #4)

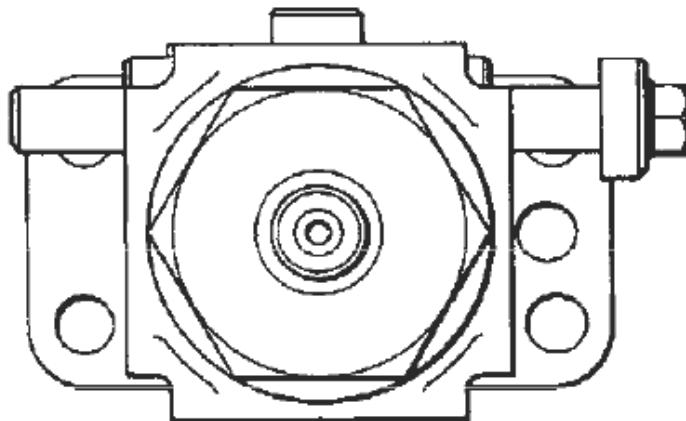
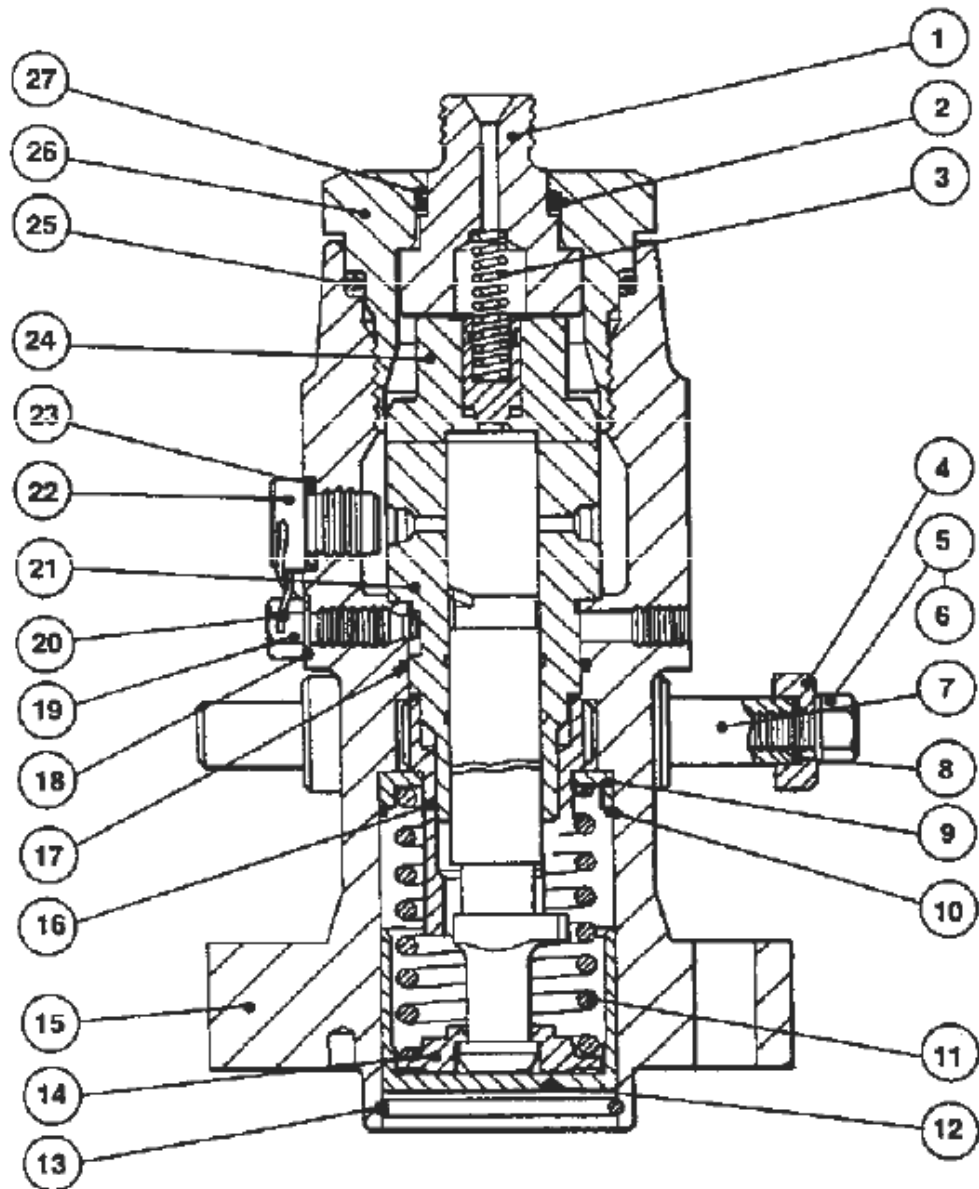
Item			
No.	Part Name	Woodward No.	Wärtsilä No.
	Fuel Pump	FCOAB180B0407	
1	Delivery valve holder	3/331	
2	Spring delivery valve	25/15	
3	Delivery valve & seat assembly	25/56	
4	Lead seal	3/4699	
5	Element assembly	3/399K	
6	Screw-control rod locating	123/9	
7	Circlip-upper	3/4683	
8	Spring-plunger	3/178	
9	Spring plate-lower	3/71	
10	Circlip-lower	3/3361	
11	Pointer-control rod	3/2	
12	Screw-pointer	297/203	
13	Shims-pointer (1AR)	106/1A-E	
14	Control rod	3/69	
15	Washer-vent screw	113/75	
16	Screw-vent	3/124	
17	Spill plug	122/3	
18	Washer-spill plug	113/62	
19	Screw-barrel locating	3/191	
20	Washer-locating screw	113/75	
21	Pump housing	3/4847	
22	Tappet	3/4682	
23	Spring plate-upper	3/4680	
24	Control sleeve	3/1N	
25	Seal-high pressure	3/326	
26	Seal-O-ring	235/14	



FCOAB180B0407 Fuel Injection Pump

FCVAB180B0726 Fuel Injection Pump
for Wärtsilä SNSR & SNSRR Engines (20 mm stroke)
 (April 1995, Issue #2)

Item			
No.	Part Name	Woodward No.	Wärtsilä No.
	Fuel Pump	FCVAB180B0726	
1	Delivery valve holder	36/38	
2	Seal-O-ring	372/15	
3	Spring delivery valve	36/34	
4	Stop cap-control rod	6/318	
5	Bolt-stop cap	383/1022	
6	Washer-locking	282/6	
7	Control rod assembly	36/94	
8	Shims-pointer/stop cap (AR)	6/316A-H	
9	Spring plate-upper	7022/232	
10	Circlip-upper	25/25	
11	Spring-plunger	36/31	
12	Tappet	6/289	
13	Circlip-lower	6/105	
14	Spring plate-lower	6/107	
15	Pump housing	36/97	
16	Control sleeve	36/30	
17	Seal-O-ring	372/18	
18	Washer-locating screw	NW5/22	
19	Screw-barrel locating	36/27	
20	Locking wire (AR)	18SWG	
21	Element assembly	36/99C	
22	Spill plug	21/201	
23	Washer-spill plug	113/62	
24	Delivery valve & seat assembly	36/54C	
25	Seal-O-ring	372/36	
26	Retaining nut	36/56	
27	Washer-O-ring	106/116	

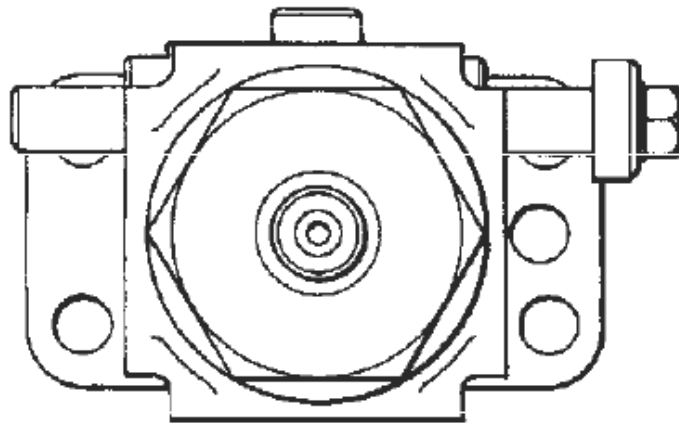
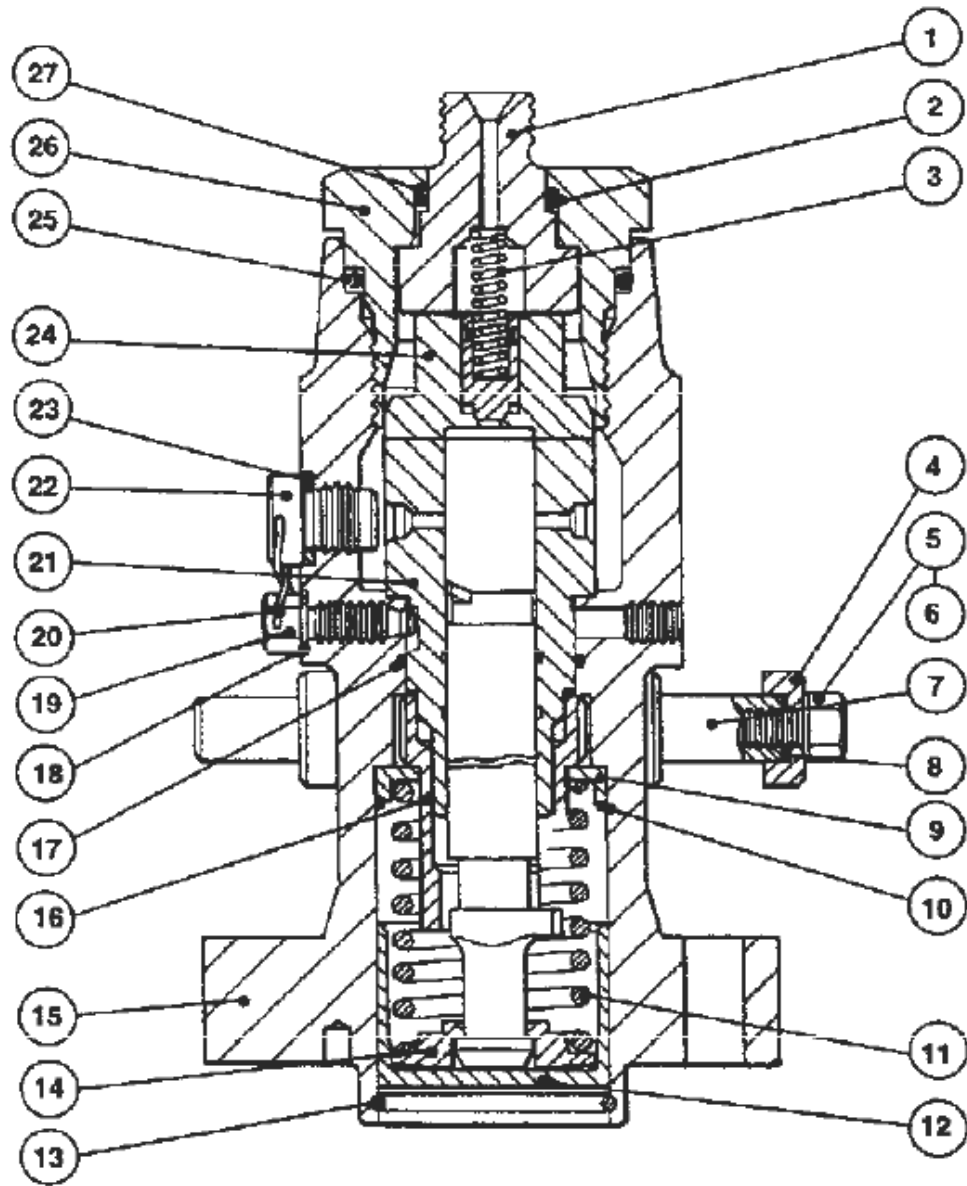


FCVAB180B0726 Fuel Injection Pump

FCVAB200B0726 Fuel Injection Pump for Wärtsilä SNSR & SNSRR Engines (20 mm stroke, uprated)

(April 1995, Issue #2)

Item			
No.	Part Name	Woodward No.	Wärtsilä No.
	Fuel Pump	FCVAB200B0726	
1	Delivery valve holder	36/38	
2	Seal-O-ring	372/15	
3	Spring delivery valve	36/34	
4	Stop cap-control rod	6/318	
5	Bolt-stop cap	383/1022	
6	Washer-locking	282/6	
7	Control rod assembly	36/94	
8	Shims-pointer/stop cap (AR)	6/316A-H	
9	Spring plate-upper	7022/232	
10	Circlip-upper	25/25	
11	Spring-plunger	36/31	
12	Tappet	6/289	
13	Circlip-lower	6/105	
14	Spring plate-lower	6/107	
15	Pump housing	36/97	
16	Control sleeve	36/30	
17	Seal-O-ring	372/18	
18	Washer-locating screw	NW5/22	
19	Screw-barrel locating	36/27	
20	Locking wire (AR)	18SWG	
21	Element assembly	36/99E	
22	Spill plug	21/201	
23	Washer-spill plug	113/62	
24	Delivery valve & seat assembly	36/54C	
25	Seal-O-ring	372/36	
26	Retaining nut	36/56	
27	Washer-O-ring	106/116	

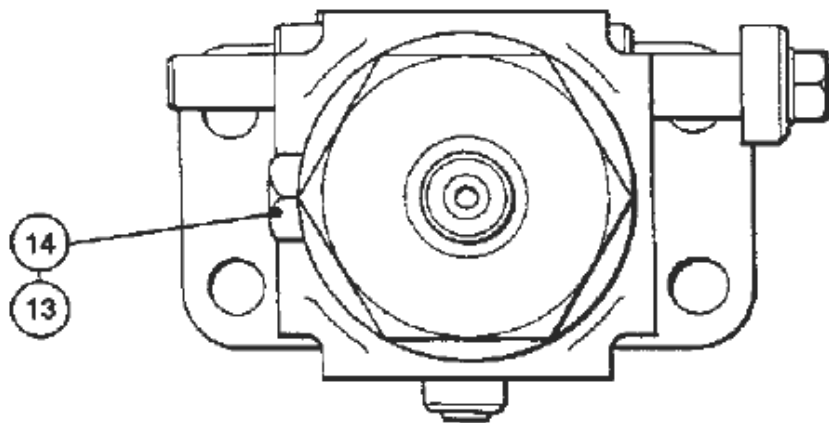
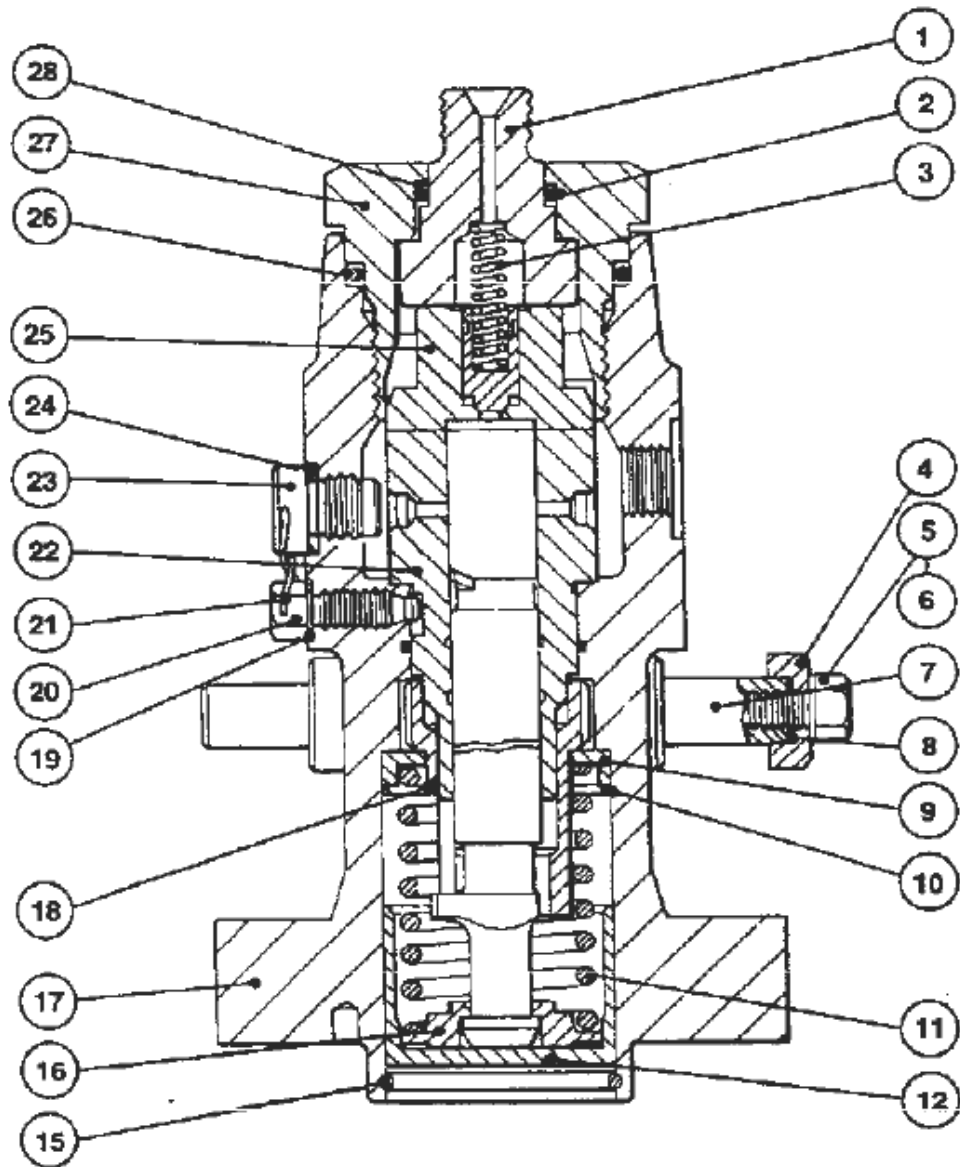


FCVAB200B0726 Fuel Injection Pump

FCVAB220B0698 Fuel Injection Pump for Wärtsilä SNSR & SNSRR Engines (16 mm stroke, uprated)

(April 1995, Issue #2)

Item No.	Part Name	Woodward No.	Wärtsilä No.
	Fuel Pump	FCVAB220B0698	
1	Delivery valve holder	36/38	
2	Seal-O-ring	372/15	
3	Spring delivery valve	36/34	
4	Stop cap-control rod	6/318	
5	Bolt-stop cap	383/1022	
6	Washer-locking	282/6	
7	Control rod assembly	36/94	
8	Shims-stop cap (1AR)	6/316A-H	
9	Spring plate-upper	7022/232	
10	Circlip-upper	25/25	
11	Spring-plunger	36/31	
12	Tappet	6/289	
13	Washer-inlet connection	NW5/50W4	
14	Blanking plug-inlet	6/102	
15	Circlip-lower	6/105	
16	Spring plate-lower	6/107	
17	Pump housing	36/61	
18	Control sleeve	36/53	
19	Washer-locating screw	NW5/22	
20	Screw-barrel locating	36/27	
21	Locking wire (AR)	18SWG	
22	Element assembly	36/92F	
23	Spill plug	21/201	
24	Washer-spill plug	113/62	
25	Delivery valve & seat assembly	36/54C	
26	Seal-O-ring	372/36	
27	Retaining nut	36/56	
28	Washer-O-ring	106/116	

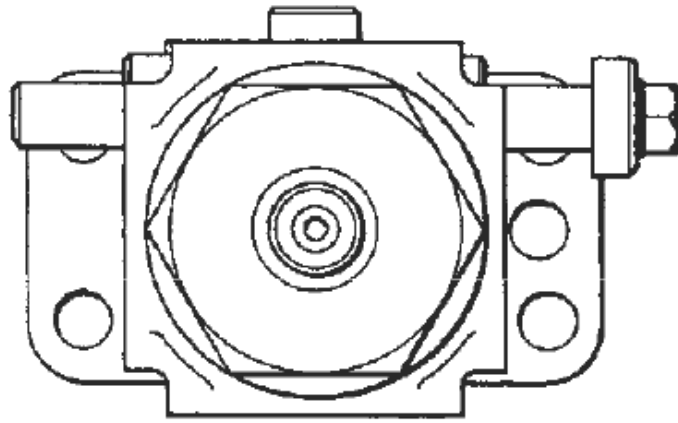
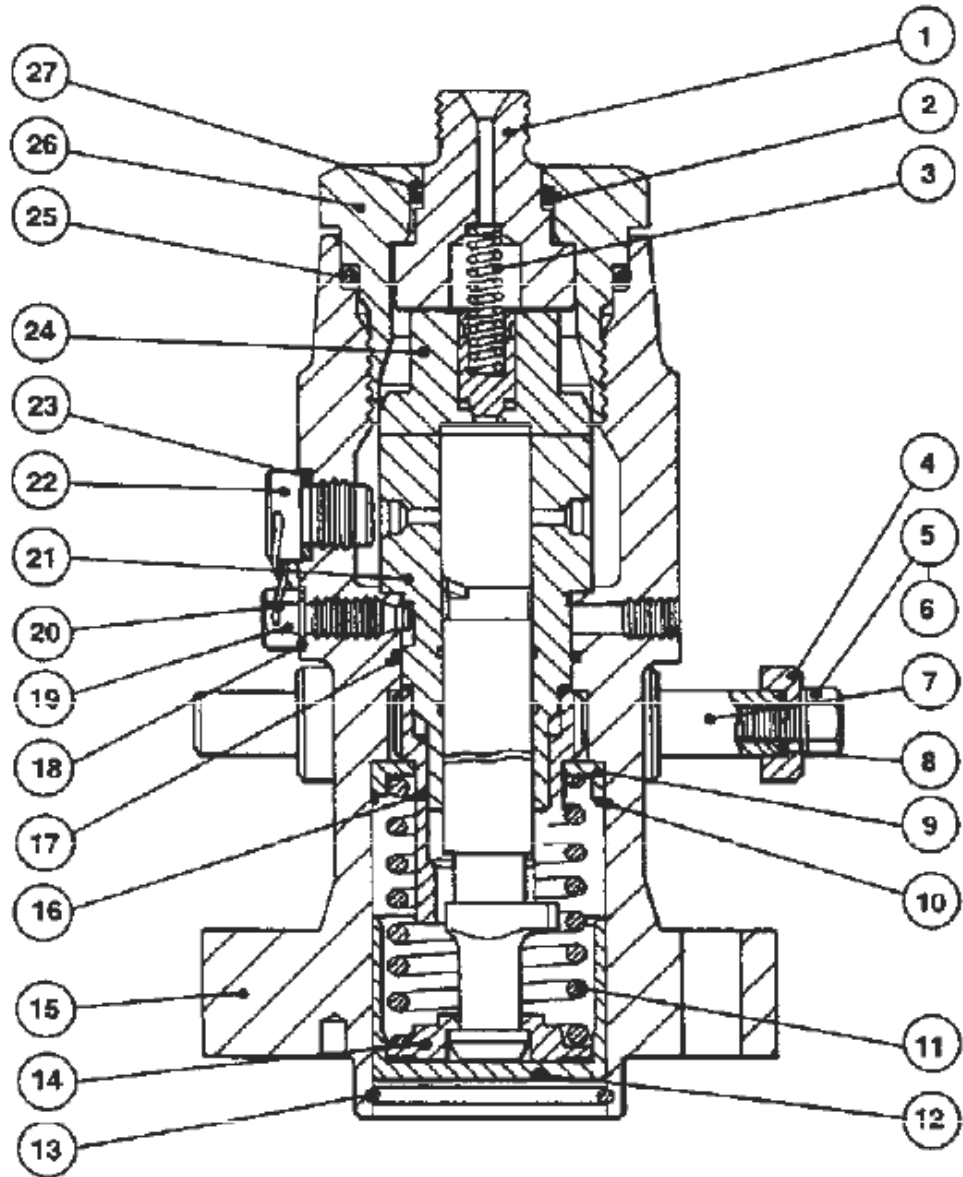


FCVAB220B0698 Fuel Injection Pump

FCVAB220B0726 Fuel Injection Pump for Wärtsilä SNSR & SNSRR Engines (20 mm stroke, uprated)

(April 1995, Issue #2)

Item			
No.	Part Name	Woodward No.	Wärtsilä No.
	Fuel Pump	FCVAB220B0726	
1	Delivery valve holder	36/38	
2	Seal-O-ring	372/15	
3	Spring delivery valve	36/34	
4	Stop cap-control rod	6/318	
5	Bolt-stop cap	383/1022	
6	Washer-locking	282/6	
7	Control rod assembly	36/94	
8	Shims-pointer/stop cap (AR)	6/316A-H	
9	Spring plate-upper	7022/232	
10	Circlip-upper	25/25	
11	Spring-plunger	36/31	
12	Tappet	6/289	
13	Circlip-lower	6/105	
14	Spring plate-lower	6/107	
15	Pump housing	36/97	
16	Control sleeve	36/30	
17	Seal-O-ring	372/18	
18	Washer-locating screw	NW5/22	
19	Screw-barrel locating	36/27	
20	Locking wire (AR)	18SWG	
21	Element assembly	36/99F	
22	Spill plug	21/201	
23	Washer-spill plug	113/62	
24	Delivery valve & seat assembly	36/54C	
25	Seal-O-ring	372/36	
26	Retaining nut	36/56	
27	Washer-O-ring	106/116	



FCVAB220B0726 Fuel Injection Pump

We appreciate your comments about the content of our publications.

Send comments to: icinfo@woodward.com

Please include the manual number from the front cover of this publication.



WOODWARD

PO Box 1519, Fort Collins CO 80522-1519, USA
1000 East Drake Road, Fort Collins CO 80525, USA
Phone +1 (970) 482-5811 • Fax +1 (970) 498-3058

Email and Website—www.woodward.com

**Woodward has company-owned plants, subsidiaries, and branches,
as well as authorized distributors and other authorized service and sales facilities throughout the world.**

Complete address / phone / fax / email information for all locations is available on our website.